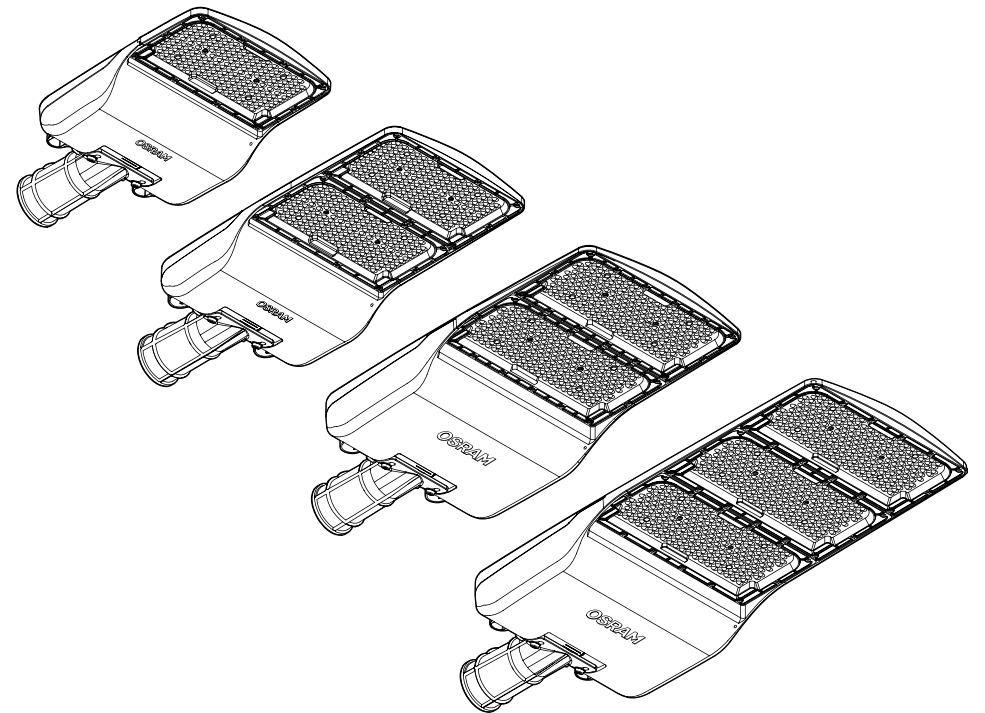


Simplitz® Street Light V2 Pro

Installation Manual



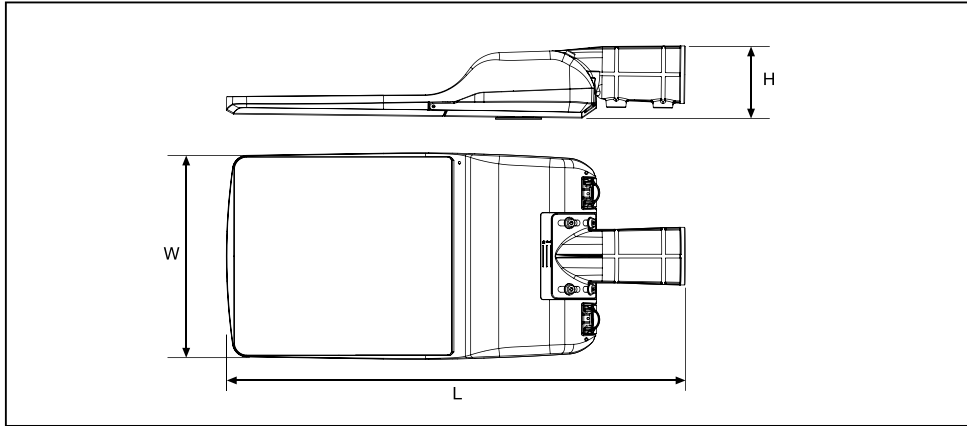
- Please read instruction carefully before assembling and installation
- Please keep instruction as reference in the future



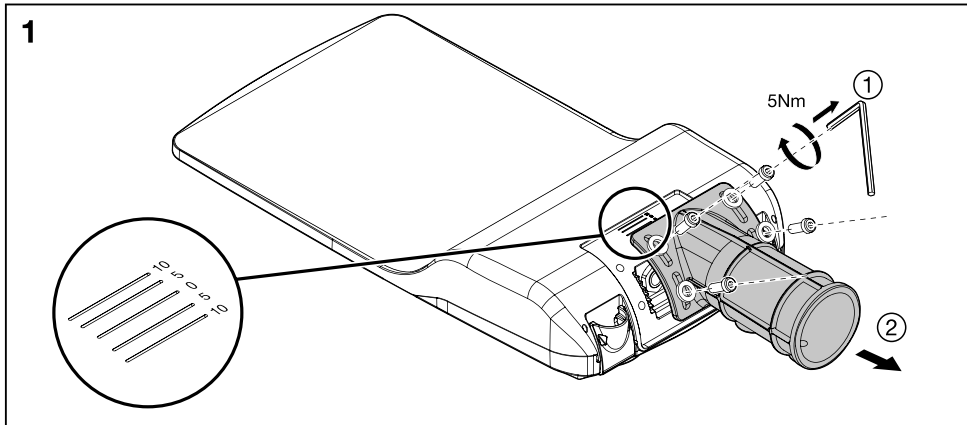
TRAXON | e2cue
MEMBER OF PROSPERITY GROUP

OSRAM

Simplitz® Street Light V2 Pro

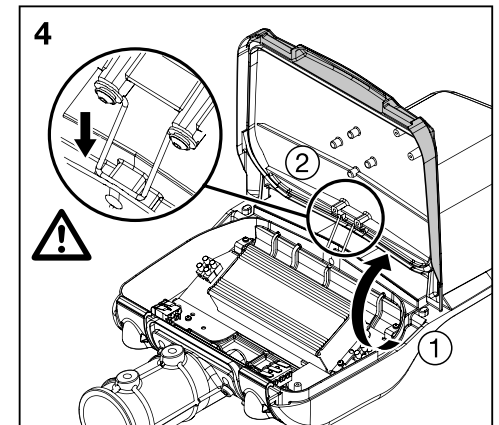
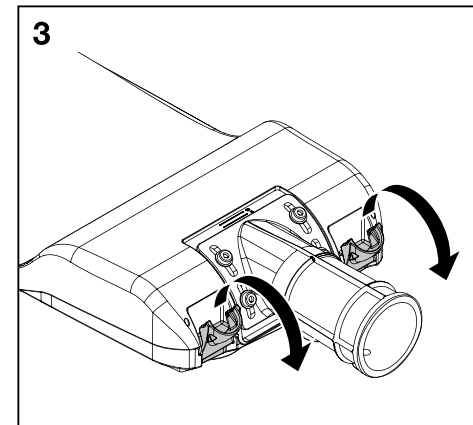
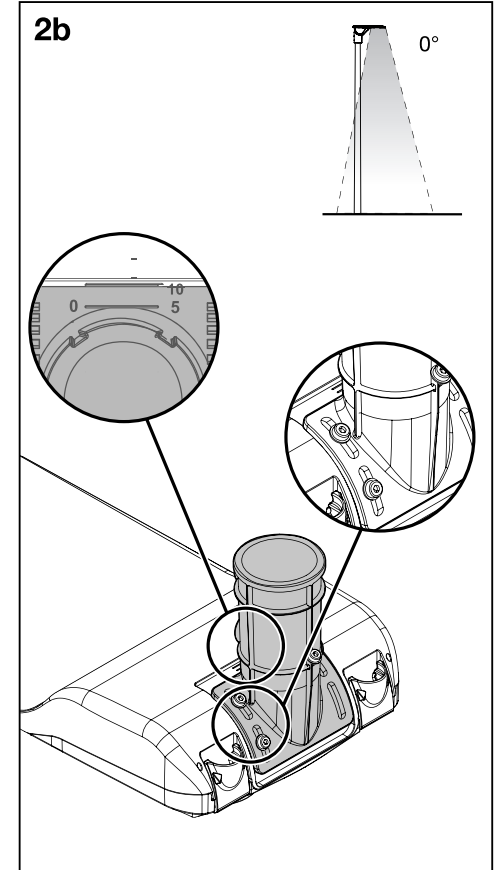
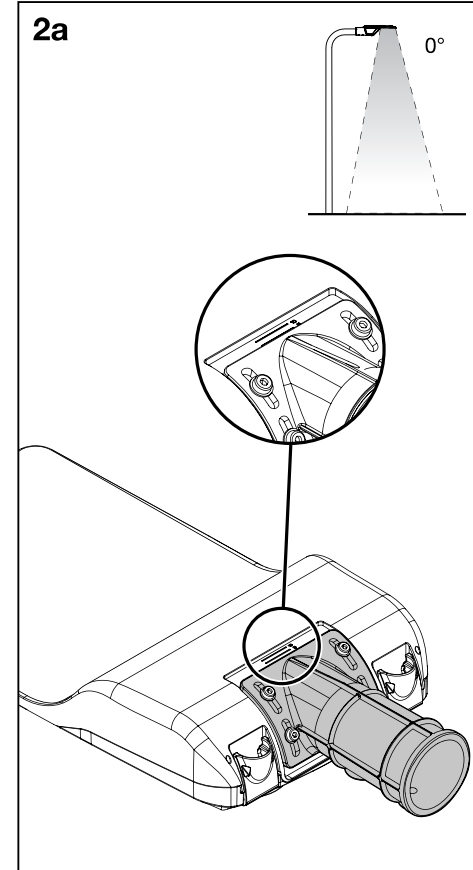


SIM ST V2P	W (mm)	L (mm)	H (mm)	Wattage (W)	Voltage (V)	Installation height (m)	Weight (kg)	Maximum projected area (m ²)		IP	ta		
								Front	Side				
SIM ST V2P 30-60W	287	488	103	30-60	100-240 VAC 50/60 Hz	6-9	4.8	0.106	0.029	66	55°C		
SIM ST V2P 70-90W	287	488	103	70-90				0.106	0.029				
SIM ST V2P 100-120W	287	636	103	100-120		8-11	6.3	0.149	0.033				
SIM ST V2P 130-150W	287	636	103	130-150				0.149	0.033				
SIM ST V2P 160-180W	331	705	113	160-180		9-12	8.7	0.196	0.046				
SIM ST V2P 190-210W	331	705	113	190-210				0.196	0.046				
SIM ST V2P 220-240W	331	860	113	220-240		10-14	10.8	0.247	0.049			66	50°C
SIM ST V2P 250-270W	331	860	113	250-270				0.247	0.049				
SIM ST V2P 300W	331	860	113	300				0.247	0.049				
SIM ST V2P 330W	331	860	113	330				0.247	0.049				

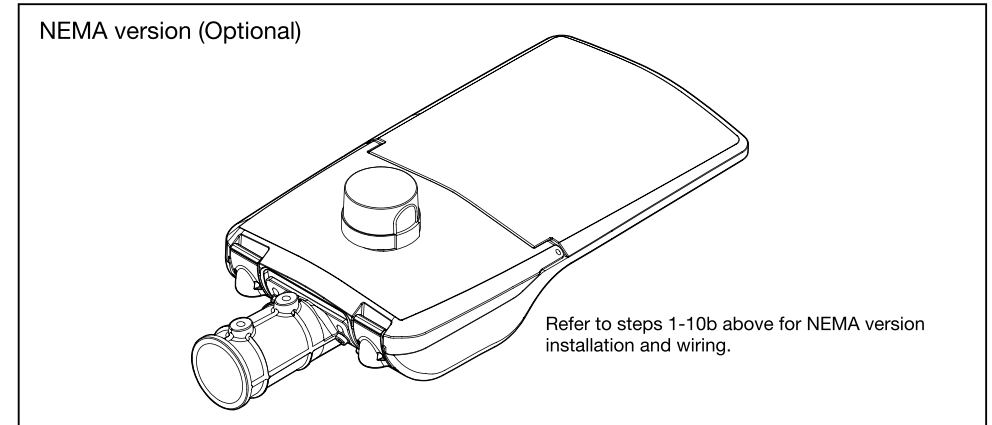
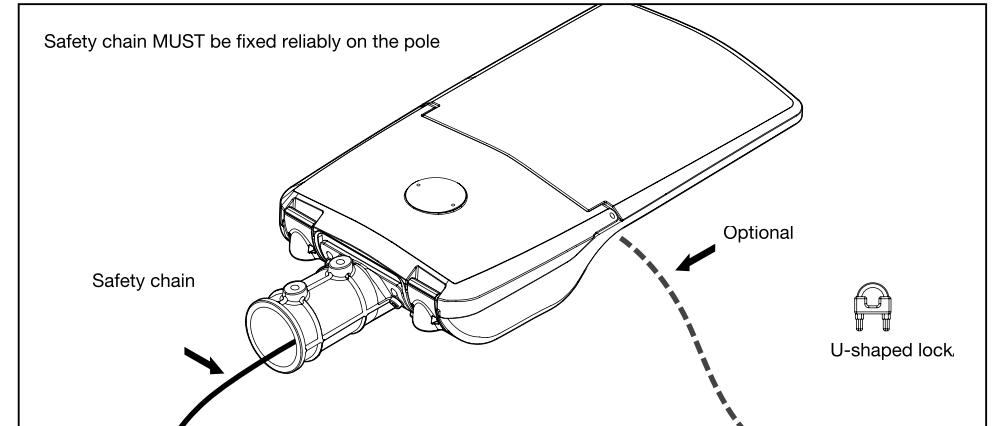
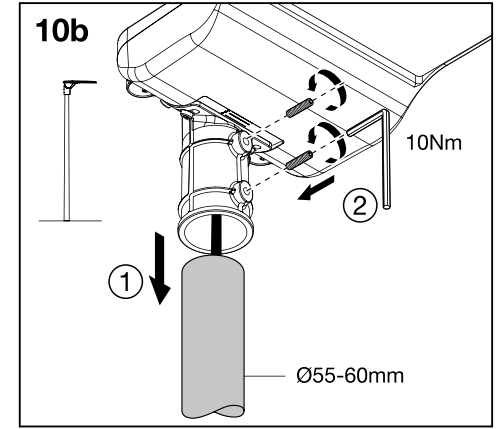
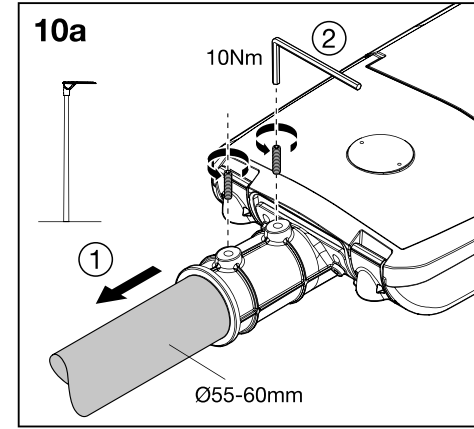
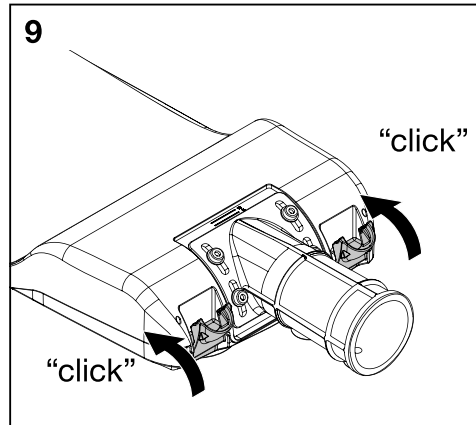
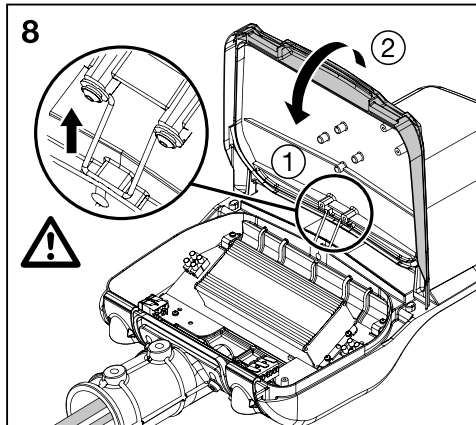
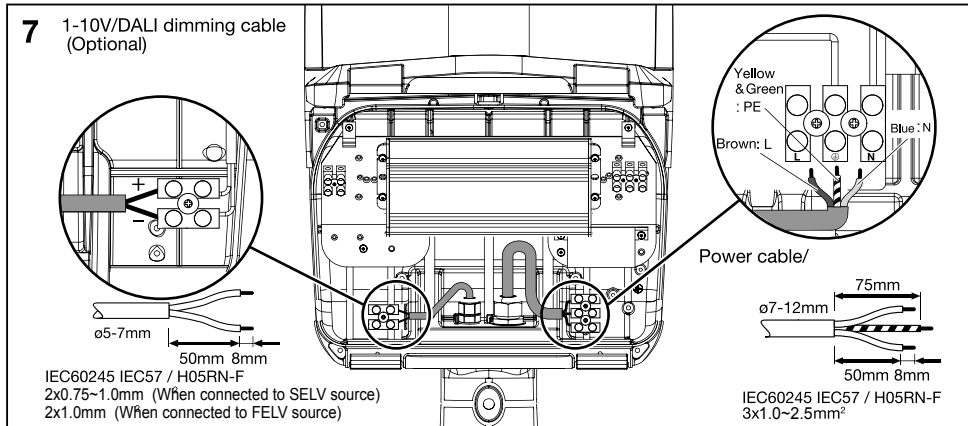
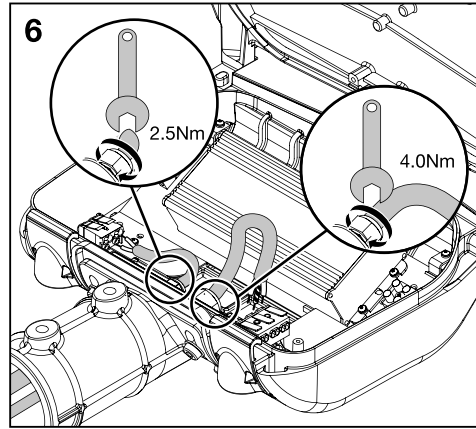
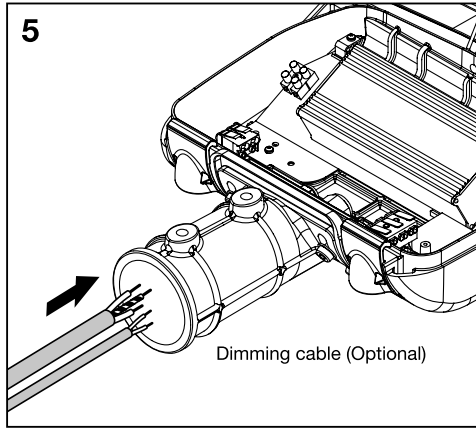


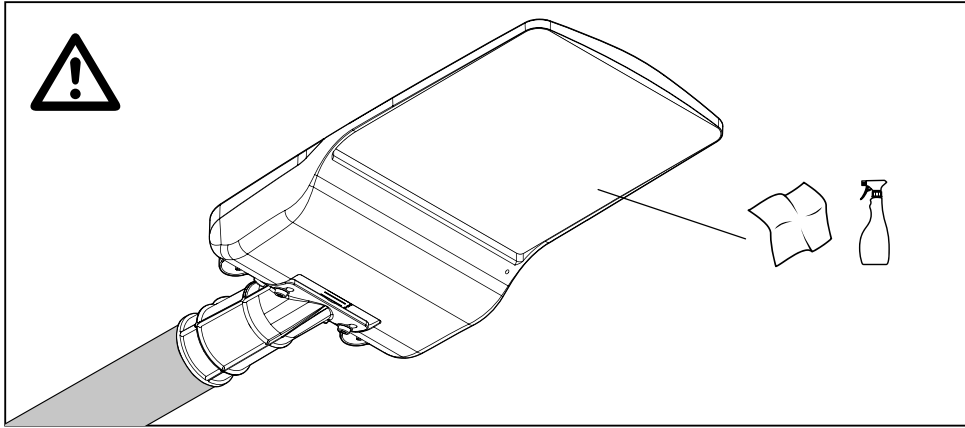
OSRAM

Simplitz® Street Light V2 Pro



OSRAM





The light source contained in this luminaire shall only be replaced by the manufacturer or his service agent or a similar qualified person.

WARNING

1. Ensure that any installation and maintenance be performed by a qualified electrician and the luminaire is wired in accordance with the latest IEE electrical regulations or the local equipments.
2. Ensure that the power supply is off before starting installation and maintenance. Do not switch on until the installation or maintenance is completed.
3. The light source of this luminaire is a non-user alternative light source, the light source contained in this luminaire shall only be replaced by the manufacturer of his service agent or a similar qualified person.
4. Make sure the products are grounded.
5. Power supply system should be equipped with SPD (Surge protection Device) accordance with electrical regulations.
6. The products are suitable for outdoor use.
7. For luminaires with dimmable LED drivers

Reinforced insulation was provided between LV supply and output/dimming circuit;

Basic insulation was provided between output circuit and dimming circuit.

Controlling terminal can be connected with FELV and SELV control system.
8. For NEMA version, Make sure to meet the waterproof requirement after installing the short cap or NEMA controller.
9. The luminaire should be positioned so that prolonged staring into the luminaire at a distance closer than 3 m is not expected.
10. Glass cover was constituted with a glass having a high impact shock resistance.



Service Contact:

HANECO

Haneco Lighting Australia Pty Ltd
262 Marion Road, Netley, South Australia 5037
Haneco.com.au

info@haneco.com.au | haneco.com.au | 1300 001 LED (533)

OSRAM is a trademark of OSRAM GmbH.

TRAXON is a licensee of product trademark OSRAM for a fixed list of General Lighting product.

Haneco Lighting Australia is a Traxon distributor of OSRAM products in Australia, New Zealand

and Pacific Islands.

Traxon Technologies Europe GmbH

Karl-Schurz-Str. 38, 33100 Paderborn, Germany

Traxon Lighting Company Limited

B402-B421, Building 6, Northwest Shenjiu Science and Technology Pioneer Park, the intersection of Taohua Road and Binglang Road, Fubao Community, Fubao Street, Futian District, Shenzhen



TRAXON | ecue

MEMBER OF PROSPERITY GROUP